



www.longkangtech.com

LONGKANGTECH

Perferct Performance With Our Motor.
Designed To Be Easily Mounted On Your Applications.



- ◎ Industrial Equipment
- ◎ Household Electric Appliances
- ◎ Medical Equipment
- ◎ Precision Instrument



Add: Room1105, Shijidongyuan,
#1678 South Huancheng Road, Yinzhou District, Ningbo, China
Tel: 86-574-2888 7362 E-mail: Postmaster@longkangtech.com P.C.: 315000



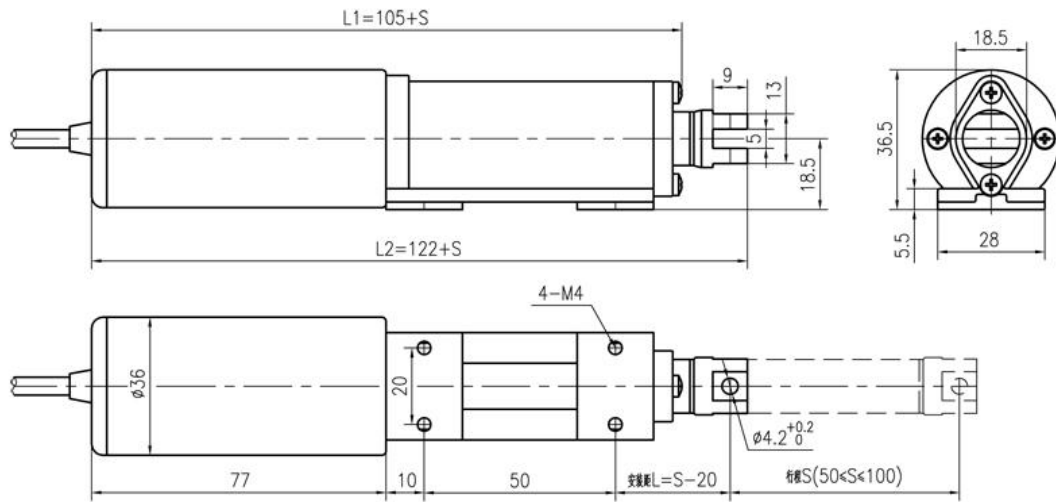
LW-35N



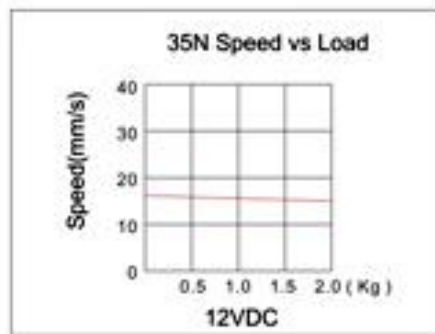
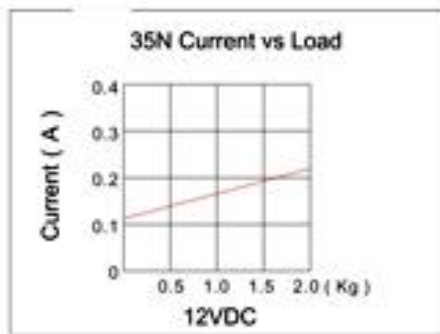
Technical Datas:

Max Force (N)	20
Max Pull(N)	20
SelfLock (Push) (N)	30
SelfLock (Pull) (N)	25
Input Voltage (VDC)	12
Stroke length (mm)	5-300
Load Speed mm/s	15
Color	Black
Limit Switch	Built-In
Duty Cycle	10%, Max.2min on/18 min off
Connecting Head	Plastic
IP Class	IP66
Operation Temperature	0°C~+50°C

Dimension:



Motor Curves



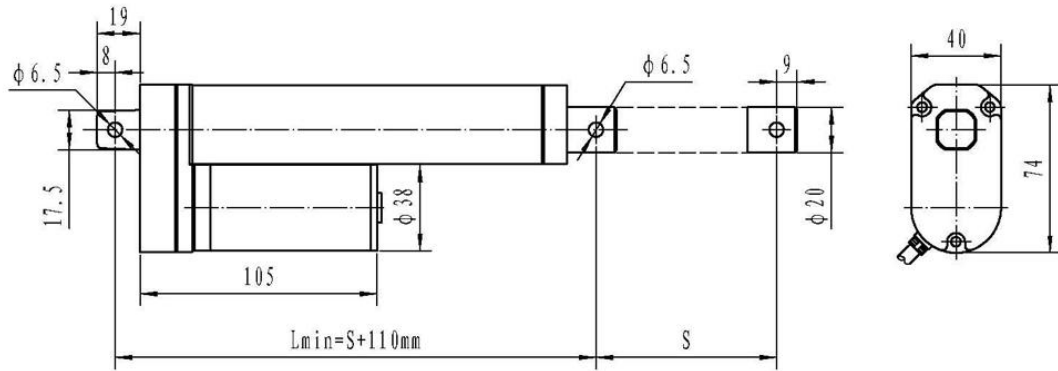
LW-35W



Technical Datas:

Max Force (N)	125	250	500	750	1000
Max Pull (N)	125	250	500	750	1000
SelfLock (Push) (N)	150	300	600	900	1200
SelfLock (Pull) (N)	150	300	600	900	1200
Input Voltage (VDC)	24				
Load Speed mm/s	22	15	11	6	4
Input Voltage (VDC)	12				
Load Speed mm/s	22	14	10	6	3
Stroke Length (mm)	100-400				
Install Type	H				
Color	Black				
Limit Switch	Bulit-In				
Duty Cycle	25%, max for 5 minutes continuous working				
Connecting Head	Zinc Alloy				
IP Class	IP54				
Operation Temperature	0°C~+40°C				

Dimension



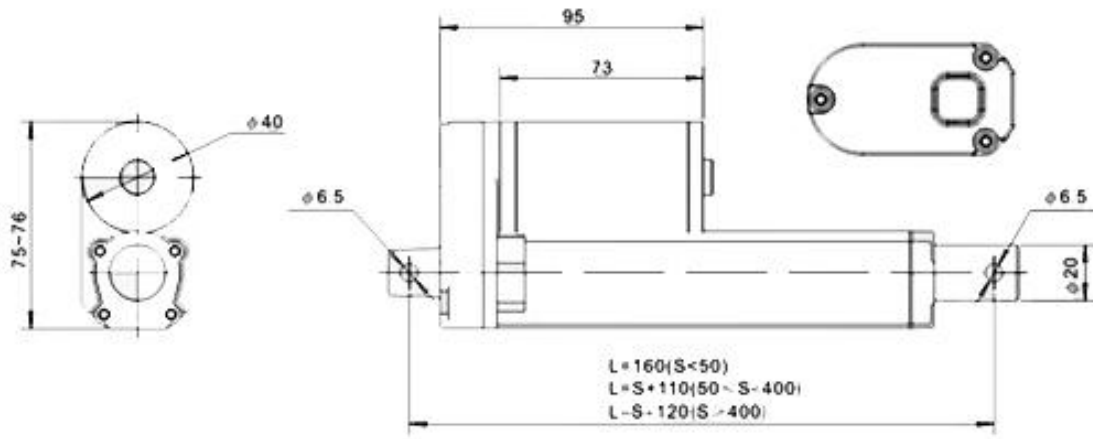
LK-35W1



Technical datas

Max pullForce(N)	125	250	500	750	1000
Max push force(N)	125	250	500	500	500
Self lock force(N) push	150	300	600	900	1200
Self lock force(N)Pull	125	250	500	500	500
Input voltage(VDC)	24				
Speed with load(mm/s)	22	15	11	6	4
Input voltage (VDC)	12				
Speed with load(mm/s)	20	13	9	5	2.5
Stroke length(mm)	100-700(optional)				
color	silver				
Limit switch	Built-in				
Over-load protection	Need to be install in controller				
Frequency	25% max continuous working 5 min				
Pipe inside	Aluminum				
IP class	IP66				
Environment	0°C~+50°C				
Optional	Hall sensor				

Dimension



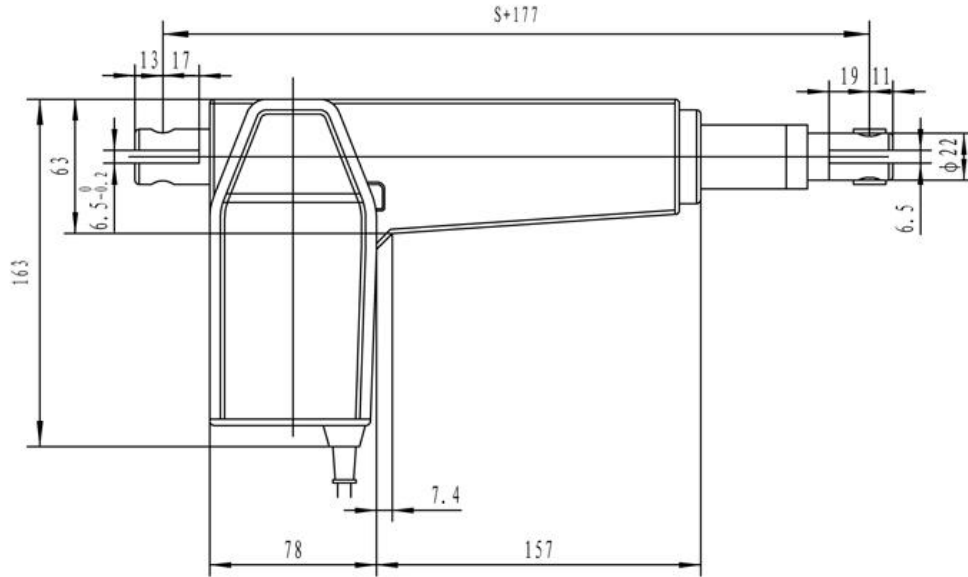
LK-35B



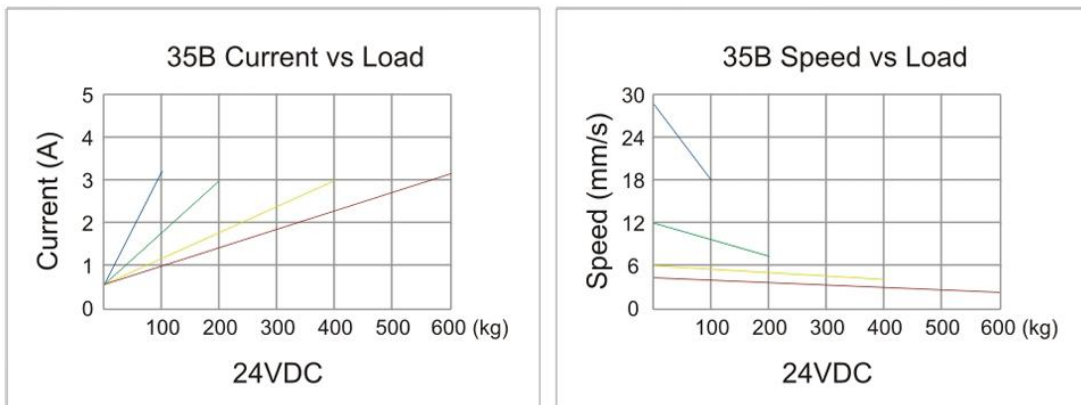
Technical datas

Max pullForce(N)	6000	4000	2000	1000
Max push force(N)	6000	4000	2000	1000
Self lock force(N) push	6000	4000	2000	1000
Self lock force(N)Pull	6000	4000	2000	1000
Input voltage(VDC)	24			
Speed with load(mm/s)	3	4	8	12
Stroke length(mm)	100-400(optional)			
color	silver			
Limit switch	Built-in			
Over-load protection	Need to be install in controller			
Frequency	10% max continuous working 2 min			
Pipe inside	Stainless Steel			
IP class	IP54			
Environment	+5°C~+40°C			

Dimension:



Motor Curves



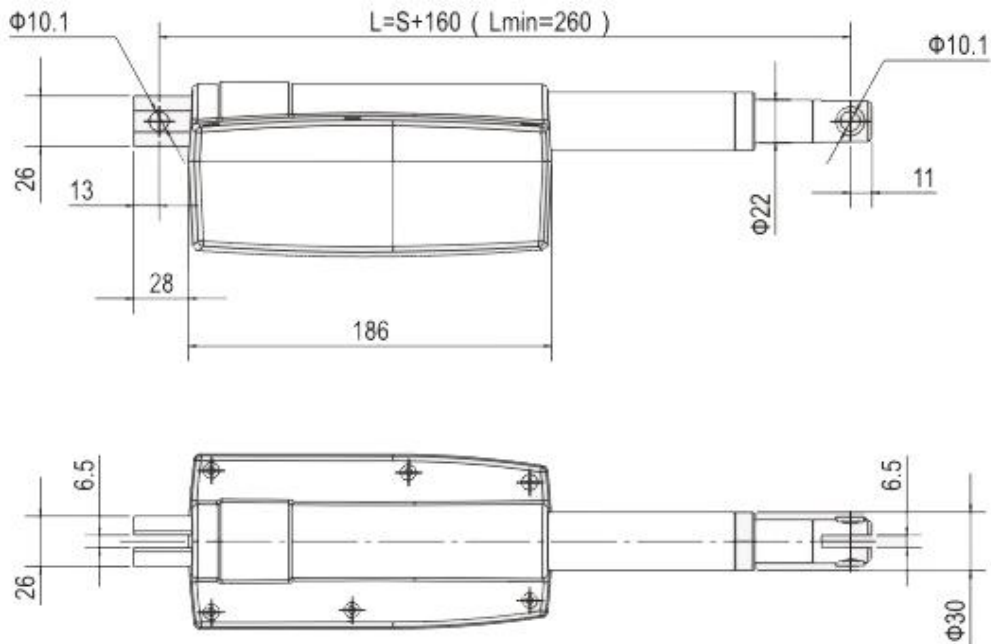
LK-35A



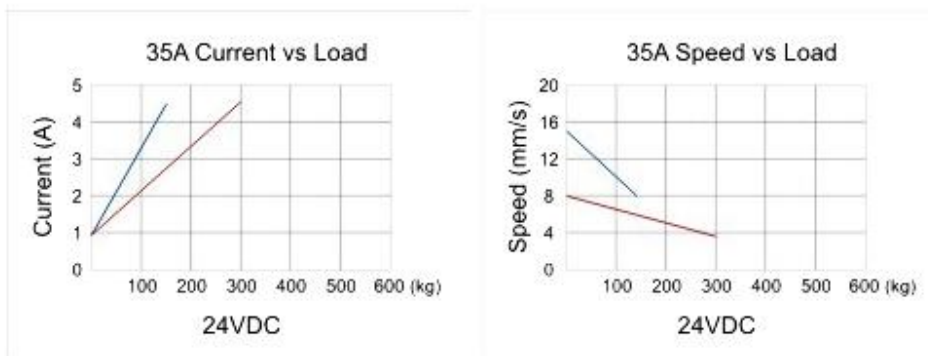
Technical datas

Max pullForce(N)	3000	1500
Max push force(N)	2000	1500
Self lock force(N) push	3000	1500
Self lock force(N)Pull	2000	1500
Input voltage(VDC)	24	
Speed with load(mm/s)	5	9
Stroke length(mm)	100-400(optional)	
color	Black or White	
Limit switch	Built-in	
Over-load protection	Need to be install in controller	
Frequency	10% max continuous working 2 min	
Pipe inside	Stainless Steel	
IP class	IP54	
Environment	+5°C~+40°C	

Dimension:



Motor Curves:



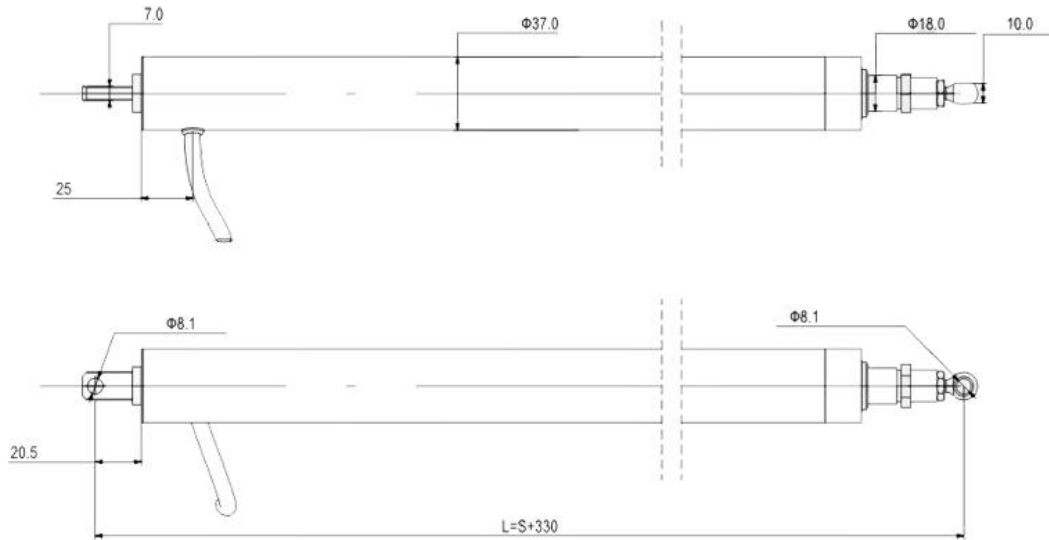
LK-35KC



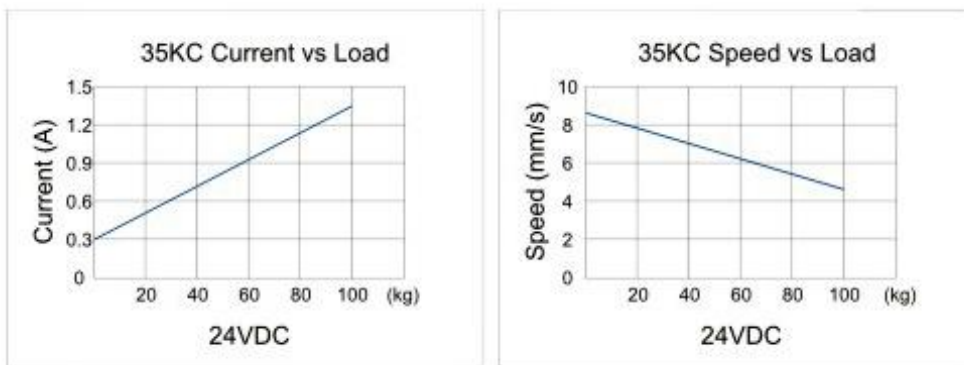
Technical datas

Max pullForce(N)	1000
Max push force(N)	1000
Self lock force(N) push	1000
Self lock force(N)Pull	1000
Input voltage(VDC)	24
Speed with load(mm/s)	5
Stroke length(mm)	100-400(optional)
color	Silver
Over load protection	Built-in
Frequency	10% max continuous working 2 min
Pipe inside	Aluminum Alloy
IP class	IP54
Environment	+5°C~+40°C

Dimension:



Motor Curves:



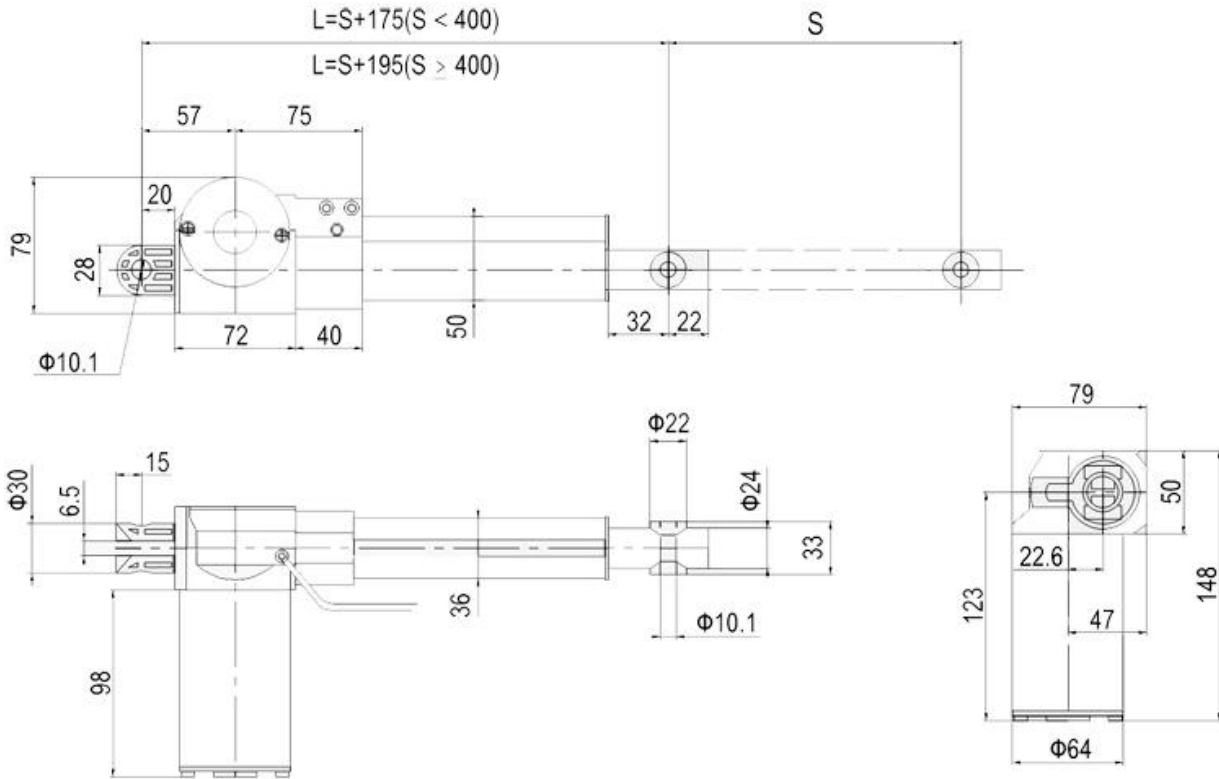
LK-35D



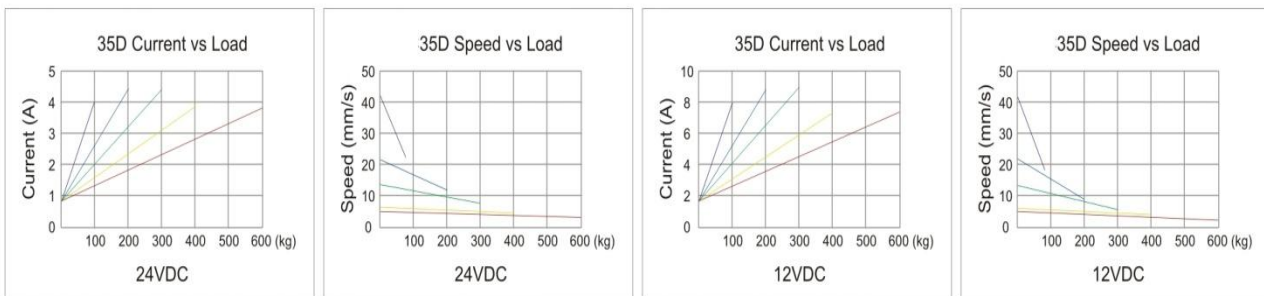
Technical datas

Max pullForce(N)	6000	4000	3000	2000	750
Max push force(N)	4000	4000	3000	2000	750
Self lock force(N) push	6000	4000	3000	2000	750
Self lock force(N)Pull	4000	4000	3000	2000	750
Input voltage(VDC)	24				
Speed with load(mm/s)	3	4	8	12	22
Input voltage (VDC)	12				
Speed with load(mm/s)	2.6	3.5	5	9	18
Stroke length(mm)	100-400(optional)				
color	Black or Grey				
Limit switch	Built-in				
Over-load protection	Need to be install in controller				
Frequency	25% max continuous working 5 min				
Pipe inside	Aluminum				
IP class	IP43				
Environment	5°C~+40°C				
Optional	Hall sensor				

Dimension:



Motor Curves:



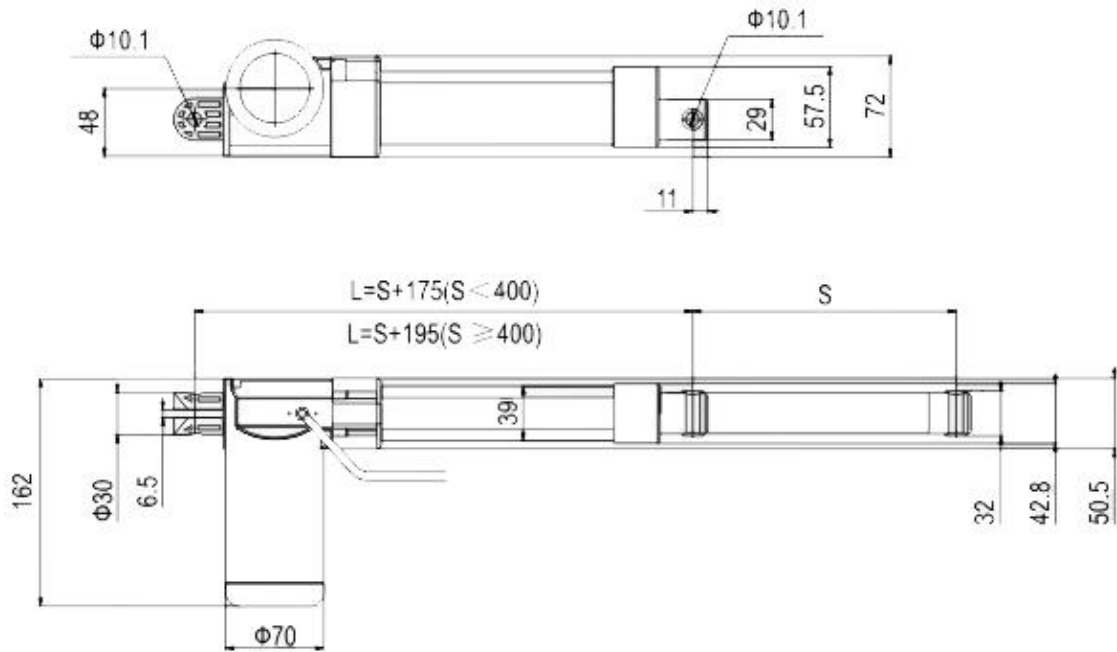
LK-35DF



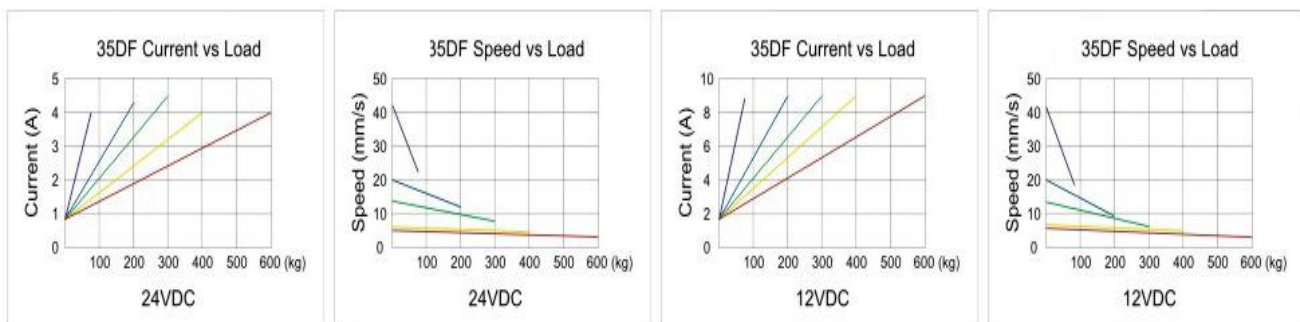
Technical datas

Max pullForce(N)	6000	4000	3000	2000	750
Max push force(N)	4000	4000	3000	2000	750
Self lock force(N) push	6000	4000	3000	2000	750
Self lock force(N)Pull	4000	4000	3000	2000	750
Input voltage(VDC)	24				
Speed with load(mm/s)	3	4	8	12	22
Input voltage (VDC)	12				
Speed with load(mm/s)	3	4	5	9	18
Stroke length(mm)	100-400(optional)				
color	Black or Grey				
Limit switch	Built-in				
Over-load protection	Need to be install in controller				
Frequency	25% max continuous working 5 min				
Pipe inside	Aluminum				
IP class	IP66				
Environment	5°C~+40°C				
Optional	Hall sensor				

Dimension:



Curves:



RM-LR



Technical datas

Input Voltage	12/24V
Load Capacity	330N
Unload/Load Current	0.2/0.8A
Speed	8-18mm/s
IP Class	54
Speed with load(mm/s)	5
Environment	-10°C~+60°C
Housing Material	Zinc Alloy
Gear Material	Powder Metallurgy
Frequency	25% max continuous working 5 min
Stroke	50-300mm

Dimension:

